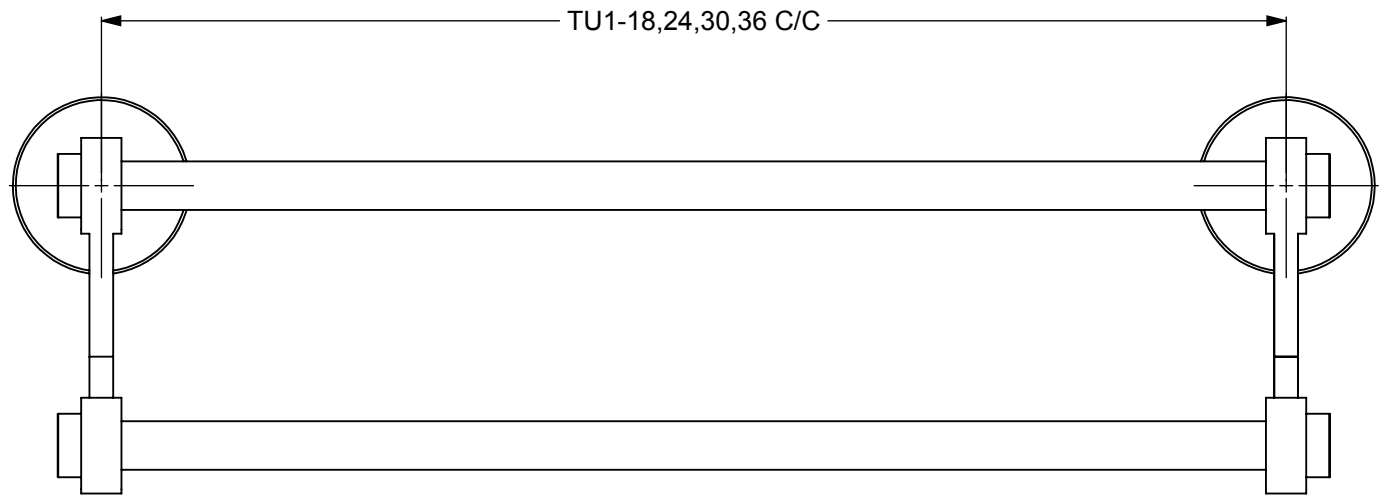
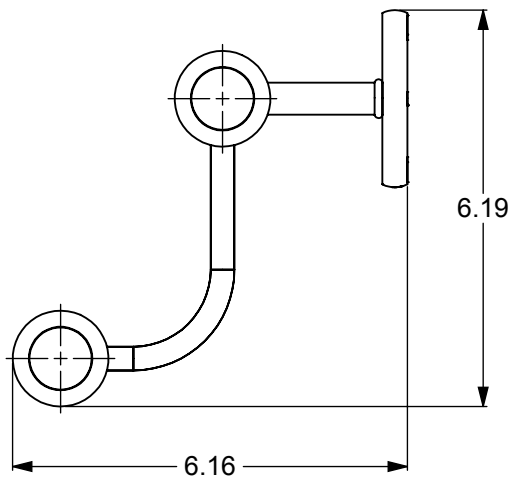
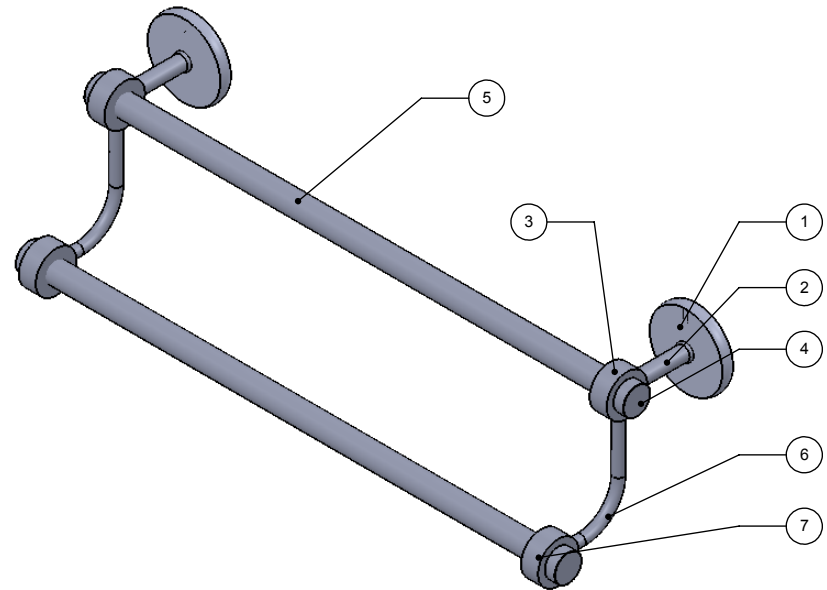


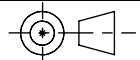
| | | | |
|---|-----------------|---------------|---|
| 1 | BPRD | BASE | 2 |
| 2 | TU12-.75 | TUBE | 2 |
| 3 | RGSMD | CONNECTOR | 2 |
| 4 | Card-1 | END LOCK | 4 |
| 5 | TU1-18,24,30,36 | TUBE | 2 |
| 6 | HKT | TUBE PIPE | 2 |
| 7 | RGSMT | CONNECTOR-BOT | 2 |




NOTE:
1. UNIT IS IN INCHES

| UNLESS OTHERWISE STATED | |
|-------------------------|---------|
| .X | ±.3mm |
| .XX | ±.15mm |
| .XXX | ±.008mm |

COPYRIGHT © Allied Brass 2016



THIRD ANGLE PROJECTION

| | | | | | | |
|----------|-----------|-----|--------------|---|-------------|--------------|
| DRAWN | 2/22/2016 | I.M | MATERIAL: | BRASS | FINISH | TBD |
| CHECKED | 2/22/2016 | P.D | DESCRIPTION: |  | QUANTITY | TBD |
| APPROVED | 2/22/2016 | R.A | TOWEL BAR | | DRAWING No. | REV |
| | | | | | 7272 | 0 |
| | | | | SCALE | 1:3 | SHEET: 01 A4 |